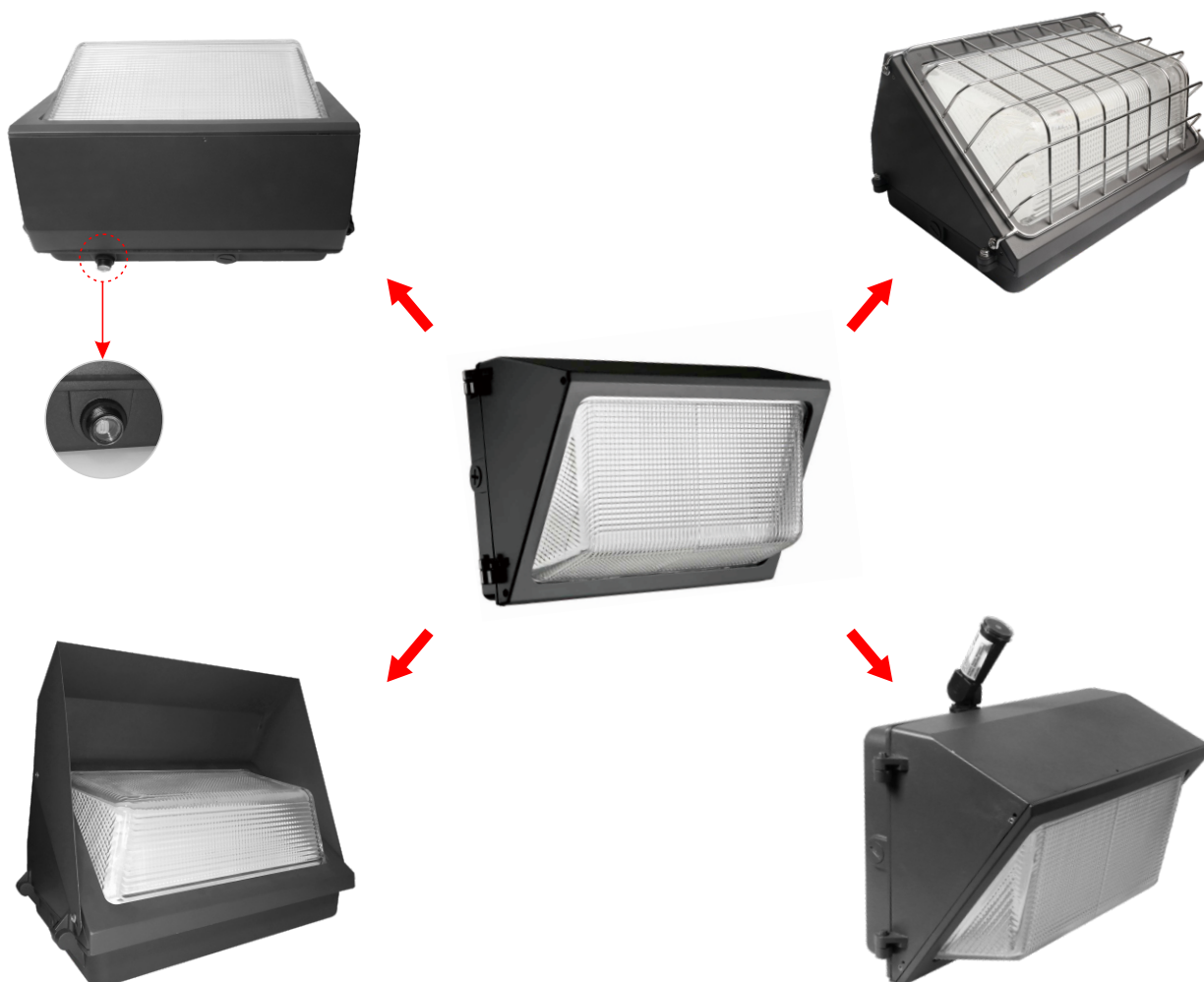


Wall Pack

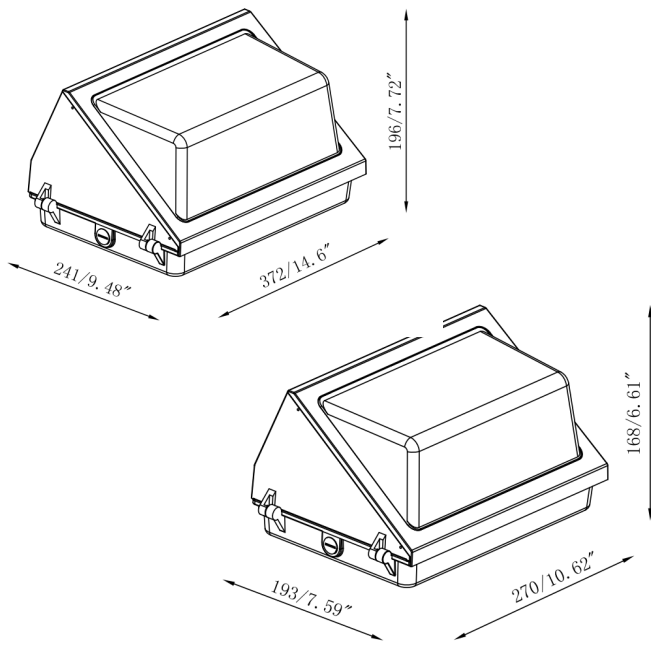
Pioneer Wall Pack

Features

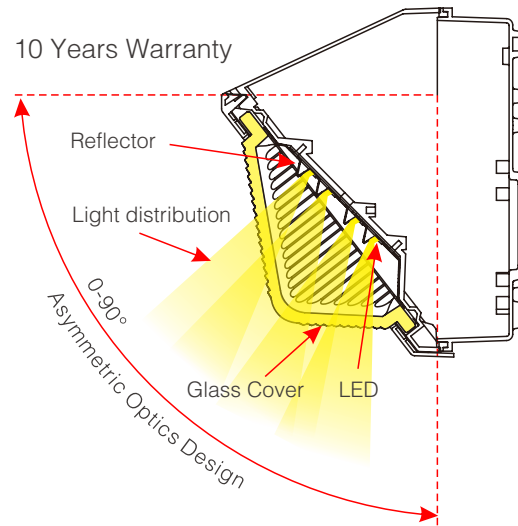
- Die-casting housing support excellent heat dissipation.
- Emergency Driver optional.
- Glass Cover, Hidden Invisible Screw Design.
- Cutoff Shade optional; wire guard optional.
- Bronze/Black / White finish available.
- Powder coat finish.
- Application: Security, Pathway, Perimeter lighting.
- Photocell optional (Button Type or Pencil Type)
- 100–277V/347–480V Driver optional (6kV Surge)
- 10 Years Warranty



Dimension



Light Distribution



Specification

Item	Power	28W	40W	40W	50W	60W	80W	100W	120W	
General Performance	Lumens	3584lm	5200lm	5200lm	6700lm	8040lm	10800lm	13500lm	16200lm	
	Efficiency	128lm/w	130lm/w	130lm/w	134lm/w	134lm/w	135lm/w	135m/w	135lm/w	
	Dimension	10.62"X7.59"X6.61"			14.60"X9.48"X7.72"					
	CCT	4000K/5000K								
	CRI	>80								
	LED Chip	Samsung 2835								
	IP-Rating	IP65(wet location with photocell)								
Electrical	Input Voltage	100-277V/347-480V								
	Dimming	0-10V								
	Surge protection	6kV								
	Operating Temp	-20°C to 60°C								
	Photocell	Photocell(100-277V)								
	Emergency	Battery Backup Available								
Physical	Housing	Die-cast aluminum body(Bronze/Black).Glass refractor								
	Mounting	Recessed outlet box or wall mount								
Qualification	Qualifications	ETL listed,DLC 4.4 Premium								
	Warranty	10 Years Warranty								